

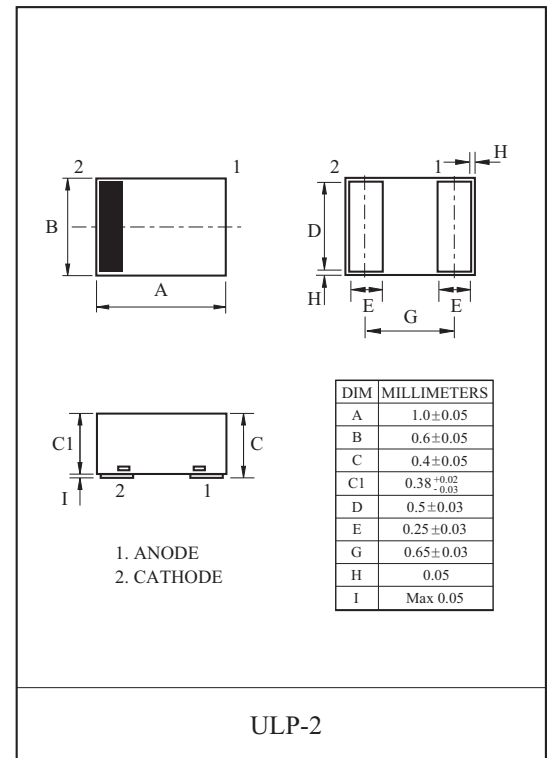
LOW CURRENT RECTIFICATION
AND HIGH SPEED SWITCHING.

FEATURES

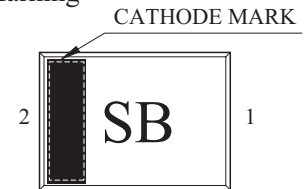
- Low Forward Voltage.
- High Reliability.
- Small Package .
- Suffix U : Qualified to AEC-Q101.
ex) KDR720UL-RTK/HU

MAXIMUM RATING (Ta=25)

CHARACTERISTIC	SYMBOL	RATING	UNIT
Reverse Voltage	V_R	30	V
Average Forward Current	I_O	100	mA
Surge Current(10ms)	I_{FSM}	1	A
Junction Temperature	T_j	125	
Storage Temperature Range	T_{stg}	-55 125	



Marking

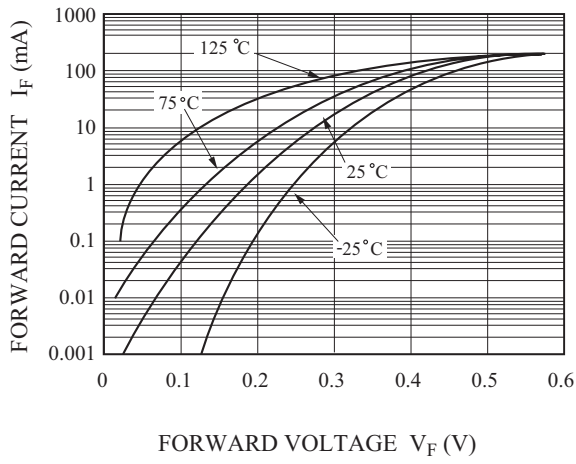


ELECTRICAL CHARACTERISTICS (Ta=25)

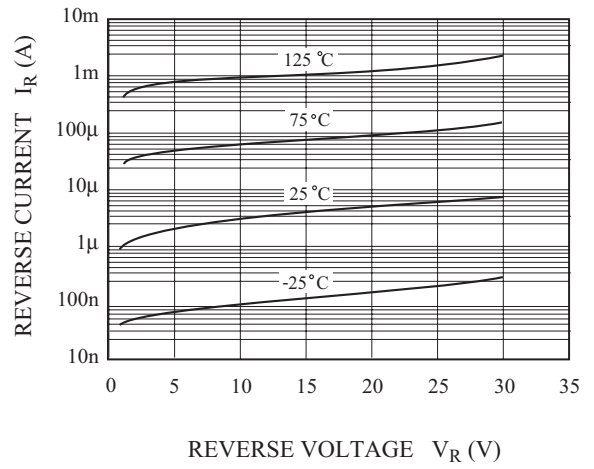
CHARACTERISTIC	SYMBOL	TEST CONDITION	MIN.	TYP.	MAX.	UNIT
Forward Voltage	V_F	$I_F=10mA$	-	-	0.35	V
Reverse Current	I_R	$V_R=10V$	-	-	10	μA

KDR720UL

$I_F - V_F$



$I_R - V_R$



$C_T - V_R$

