

### Schottky Barrier Diode

# KDR730EL2A

LOW CURRENT RECTIFICATION  
AND HIGH SPEED SWITCHING

### FEATURES

- Low Forward Voltage
- High Reliability
- Small Package

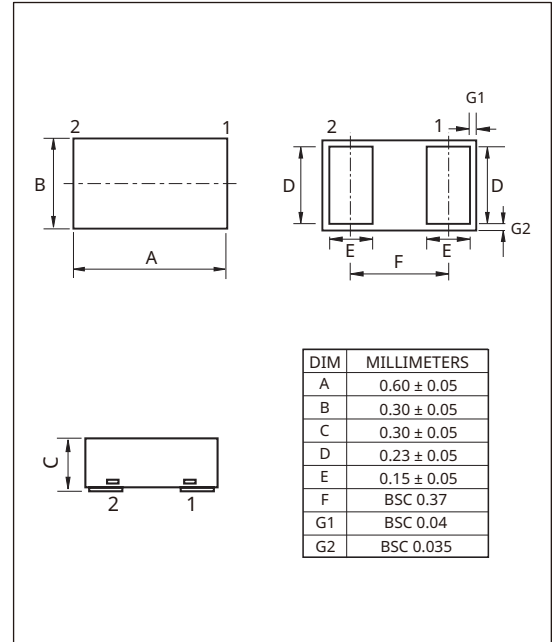
### APPLICATION

- Low voltage rectification
- High efficiency DC-to-DC conversion
- Switch mode power supply
- Inverse polarity protection
- Low power consumption applications

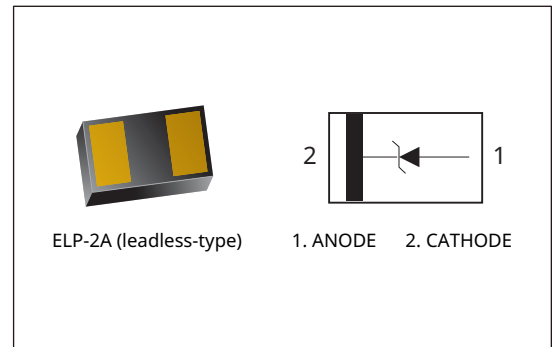
### ORDERING INFORMATION

PART NUMBER	QTY PER REEL	REEL SIZE
KDR730EL2A-RTL/H	10,000 pcs	7 inch

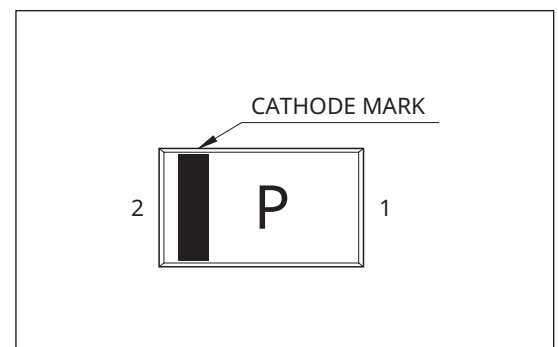
### PACKAGE DIMENSION (ELP-2A)



### PIN CONFIGURATION



### MARKING CODE



# PRODUCT DATASHEET

## Schottky Barrier Diode - KDR730EL2A

### MAXIMUM RATING (Ta=25°C)

CHARACTERISTIC	SYMBOL	RATING	UNIT
Reverse Voltage	$V_R$	30	V
Average Forward Current	$I_O$	100	mA
Surge Current(10ms)	$I_{FSM}$	0.5	A
Junction Temperature	$T_J$	-55 ~ 125	°C
Storage Temperature Range	$T_{STG}$	-55 ~ 125	°C

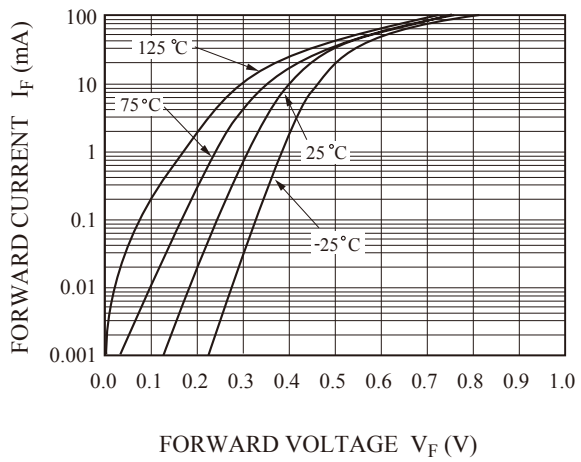
### ELECTRICAL CHARACTERISTICS (Ta=25°C)

CHARACTERISTIC	SYMBOL	TEST CONDITION	MIN.	TYP.	MAX.	UNIT
Forward Voltage	$V_F$	$I_F = 10\text{mA}$	-	-	0.46	V
Reverse Current	$I_R$	$V_R = 10\text{V}$	-	-	0.3	$\mu\text{A}$

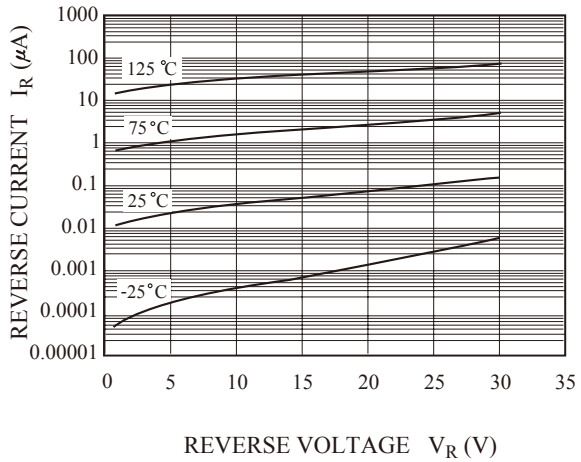
# PRODUCT DATASHEET

## Schottky Barrier Diode - KDR730EL2A

$I_F - V_F$

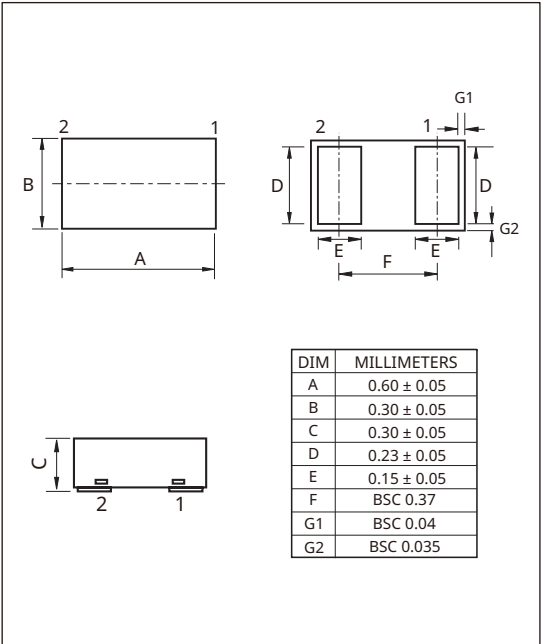


$I_R - V_R$

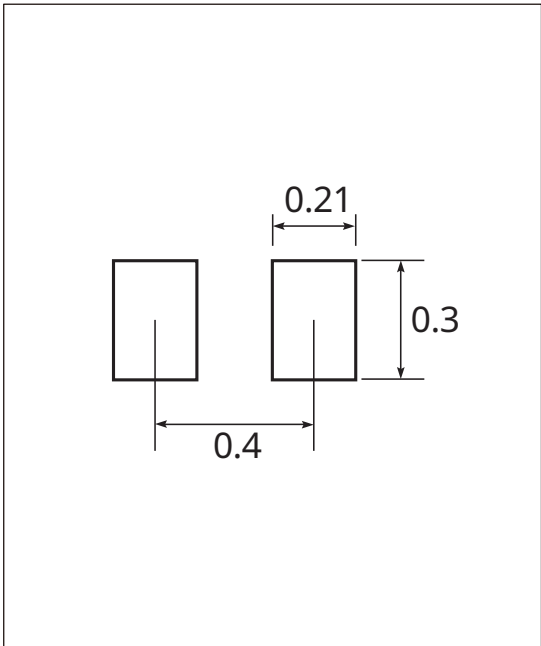


**PRODUCT DATASHEET**  
**Schottky Barrier Diode - KDR730EL2A**

**PACKAGE INFORMATION (ELP-2A)**



**RECOMMENDED PAD DIMENSION**



# PRECAUTION ON USING KEC PRODUCTS

1. The products described in this data are intended to be used in general-purpose electronic equipment. (Office equipment, telecommunication equipment, measuring equipment, home appliances)
2. When you intend to use these products with equipment or device which require an extremely high of reliability and special applications (such as automobile, air travel aerospace, transportation equipment, life support, system and safety devices) in which special quality and reliability and the failure or malfunction of products may directly jeopardize or harm the human body or damage to property and any application other than the standard application intended, please be sure to consult with our sales representative in advance.
3. On designing your application, please use product within the ranges guaranteed by KEC for maximum rating, operating supply voltage range, heat radiation characteristics and other characteristics. User shall be responsible for failure or damage when used beyond the guaranteed ranges.
4. The technical information described in this data is limited to showing representative characteristics and applied circuit examples of the products and it does not constitute the warranting of industrial property, the granting of relative rights, or the granting of any license.
5. What are described in the data may be changed without any prior notice to reflect new technical development. Please confirm that you have received the latest product standards or specification before final design, purchase or use.
6. Although KEC is continuously working to improve product reliability and quality, semiconductors can break down and malfunction due to various factors. Therefore, in order to prevent personal injury or fire arising from failure, please take safety measures such as complying with the derating characteristics, implementing redundant and fire prevention designs, and utilizing backups and fail-safe procedures. KEC shall have no responsibility for any damages arising out of the use of our Products beyond the rating specified by KEC.

**For additional information,**  
please contact your local Sales Representative.

**SOUTH KOREA (Headquarters)**  
**KEC CORPORATION**  
PHONE : +82-2-2025-5000  
sales@kec.co.kr

**JAPAN**  
**KEC JAPAN CO.,LTD.**  
PHONE : +81-03-5475-2691  
kec\_jp@kec.co.kr

**SINGAPORE**  
**KEC SINGAPORE PTE., LTD.**  
PHONE : +65-6748-7372(#102)  
kec\_twn@kec.co.kr

**THAILAND**  
**KEC THAILAND BANGKOK OFFICE**  
PHONE : +66-2-576-1484~5  
kec\_th@kec.co.kr

**CHINA**  
**KEC SHANGHAI CO.,LTD.**  
PHONE : +86-21-5490-2277  
kec\_sh@kec.co.kr

**KEC SHENZHEN OFFICE**  
PHONE : +86-755-8882-9198  
kec\_hk@kec.co.kr

**KEC TIANJIN OFFICE**  
PHONE : + 86-21-5490-2277  
kec\_sh@kec.co.kr

**HONG KONG**  
**KEC HK CORP. LTD**  
PHONE : +852-2249-3734  
kec\_hk@kec.co.kr

**TAIWAN**  
**KEC TAIWAN CO.,LTD.**  
PHONE : +886-2-2515-8359  
kec\_twn@kec.co.kr

**U.S.A**  
**KEC AMERICA CORP.**  
PHONE : +1-714-259-0662  
kec\_a@kec.co.kr



**KECCORP.COM**  
**KEC.CO.KR**