

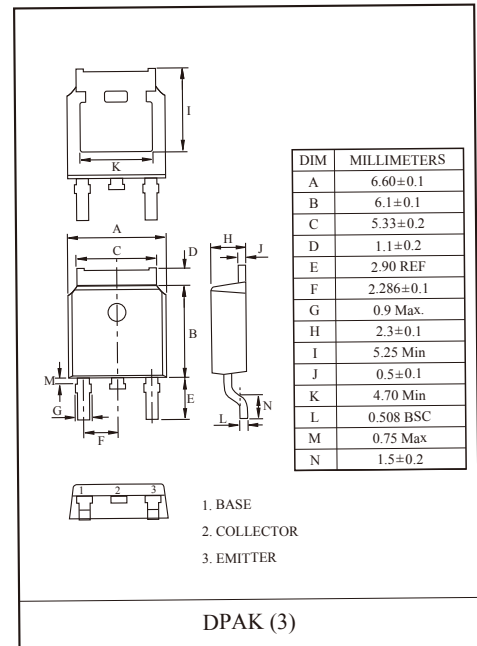
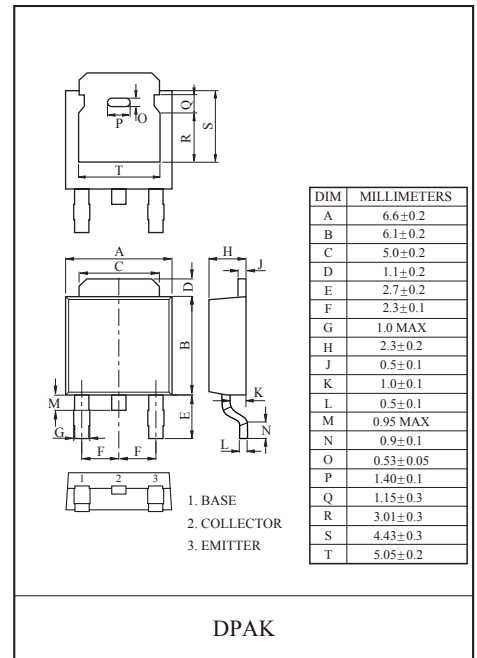
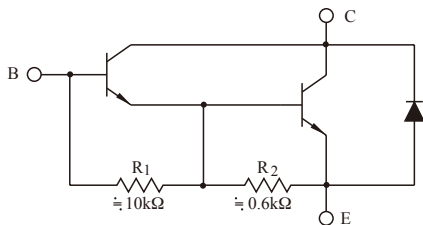
MONOLITHIC CONSTRUCTION WITH BUILT IN
BASE-EMITTER SHUNT RESISTORS INDUSTRIAL USE.

FEATURES

- High DC Current Gain.
: $h_{FE}=1000(\text{Min.}), @V_{CE}=4V,$
- $I_C=1A$. Low Collector-Emitter Saturation Voltage.
- Voltage. Straight Lead (IPAK, "L" Suffix)
- Complementary to MJD117

MAXIMUM RATING (Ta=25°C)

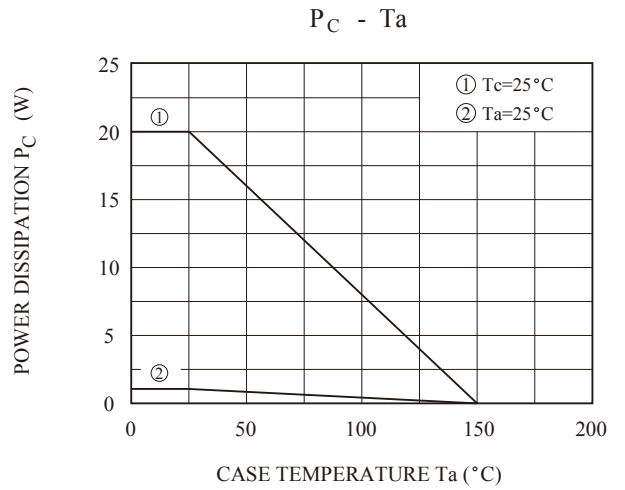
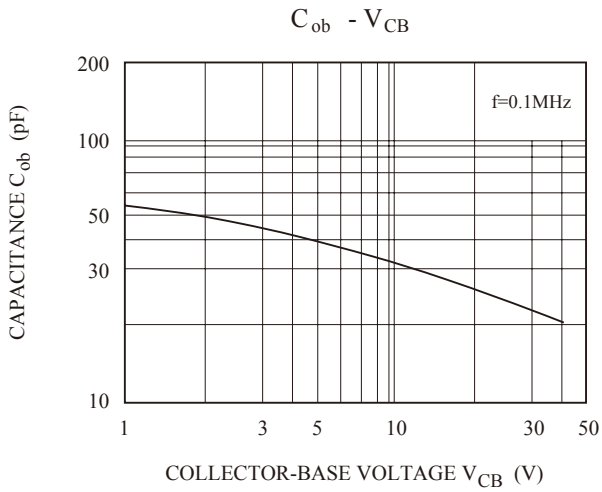
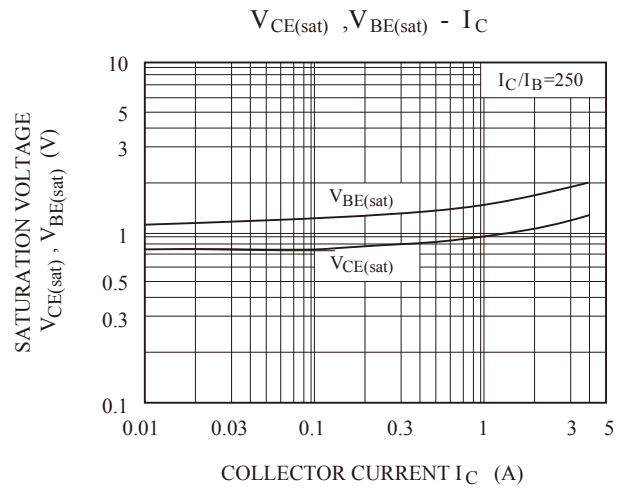
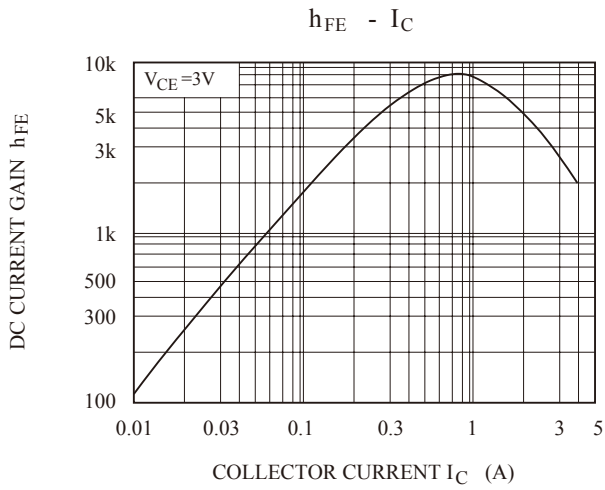
CHARACTERISTIC		SYMBOL	RATING	UNIT
Collector-Base Voltage		V_{CBO}	100	V
Collector-Emitter Voltage		V_{CEO}	100	V
Emitter-Base Voltage		V_{EBO}	5	V
Collector Current	DC	I_C	2	A
	Pulse		4	
Base Current	DC	I_B	50	mA
Collector Power Dissipation	Ta=25°C	P_C	1.0	W
	Tc=25°C		20	
Junction Temperature		T_j	150	°C
Storage Temperature Range		T_{stg}	-55 ~ 150	°C



ELECTRICAL CHARACTERISTICS (Ta=25°C)

CHARACTERISTIC	SYMBOL	TEST CONDITION	MIN.	TYP.	MAX.	UNIT
Collector-Emitter Sustaining Voltage	$V_{CEO(SUS)}$	$I_C=30mA, I_B=0$	100	-	-	V
Collector Cut-off Current	I_{CEO}	$V_{CE}=50V, I_B=0$	-	-	20	μA
	I_{CBO}	$V_{CB}=100V, I_E=0$	-	-	20	
Emitter Cut-off Current	I_{EBO}	$V_{EB}=5V, I_C=0$	-	-	2	mA
DC Current Gain	h_{FE}	$V_{CE}=3V, I_C=0.5A$	500	-	-	
		$V_{CE}=3V, I_C=2A$	1,000	12,000	-	
Collector-Emitter Saturation Voltage	$V_{CE(sat)}$	$I_C=2A, I_B=8mA$	-	-	2.0	V
Base-Emitter On Voltage	$V_{BE(ON)}$	$V_{CE}=3V, I_C=2A$	-	-	2.8	V
Current Gain Bandwidth Product	f_T	$V_{CE}=10V, I_C=0.75A, f=1MHz$	25	-	-	MHz
Collector Output Capacitance	C_{ob}	$V_{CB}=10V, I_E=0, f=0.1MHz$	-	-	100	pF

MJD112



SAFE OPERATING AREA

