

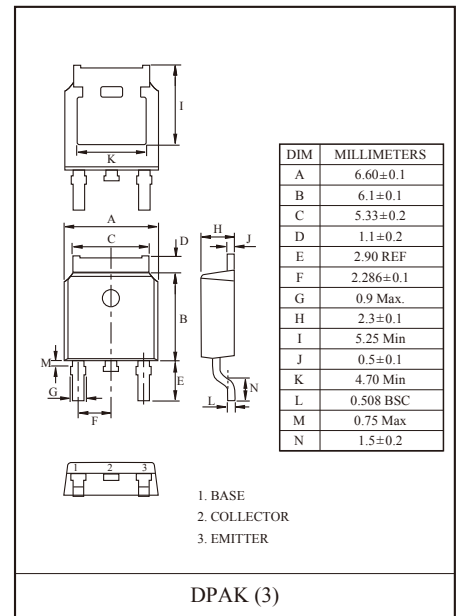
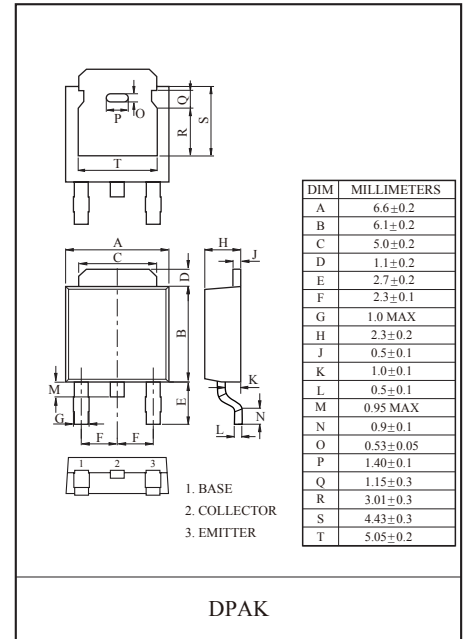
**STROBO FLASH APPLICATION.
HIGH CURRENT APPLICATION.**

FEATURES

- $h_{FE}=100 \sim 320$ ($V_{CE}=-2V$, $I_C=-0.5A$).
- Low Collector Saturation Voltage.
: $V_{CE(sat)}=-0.5V$ ($I_C=-3A$, $I_B=-75mA$).
- Suffix U : Qualified to AEC-Q 101
ex) KTA1242D-O-RTF/HU

MAXIMUM RATINGS (Ta=25°C)

CHARACTERISTIC	SYMBOL	RATING	UNIT
Collector-Base Voltage	V_{CBO}	-35	V
Collector-Emitter Voltage	V_{CEO}	-20	V
Emitter-Base Voltage	V_{EBO}	-8	V
Collector Current	I_C	-5	A
Base Current	I_B	-0.5	A
Collector Power Dissipation	P_C	1.0	W
Junction Temperature	T_j	150	°C
Storage Temperature Range	T_{stg}	-55 ~ 150	°C



ELECTRICAL CHARACTERISTICS (Ta=25°C)

CHARACTERISTIC	SYMBOL	TEST CONDITION	MIN.	TYP.	MAX.	UNIT
Collector Cut-off Current	I_{CBO}	$V_{CB}=-35V$, $I_E=0$	-	-	-100	nA
Emitter Cut-off Current	I_{EBO}	$V_{EB}=-8V$, $I_C=0$	-	-	-100	nA
Collector-Emitter Breakdown Voltage	$V_{(BR)CEO}$	$I_C=-10mA$, $I_B=0$	-20	-	-	V
Emitter-Base Breakdown Voltage	$V_{(BR)EBO}$	$I_E=-1mA$, $I_C=0$	-8	-	-	V
DC Current Gain	$h_{FE(1)}$ (Note)	$V_{CE}=-2V$, $I_C=-0.5A$	100	-	320	
	$h_{FE(2)}$	$V_{CE}=-2V$, $I_C=-4A$	70	-	-	
Collector-Emitter Saturation Voltage	$V_{CE(sat)}$	$I_C=-3A$, $I_B=-75mA$	-	-	-0.5	V
Base-Emitter Voltage	V_{BE}	$V_{CE}=-2V$, $I_C=-4A$	-	-	-1.5	V
Transition Frequency	f_T	$V_{CE}=-2V$, $I_C=-0.5A$	-	170	-	MHz
Collector Output Capacitance	C_{ob}	$V_{CB}=-10V$, $I_E=0$, $f=1MHz$	-	62	-	pF

Note : $h_{FE(1)}$ Classification O:100~200, Y:160~320

KTA1242D

